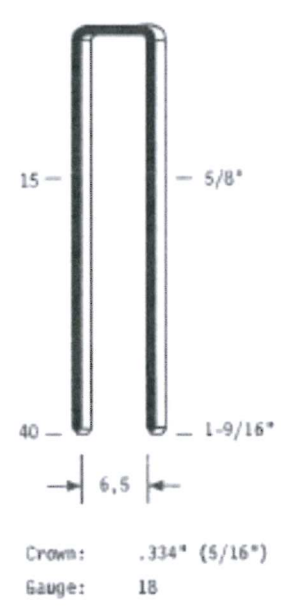




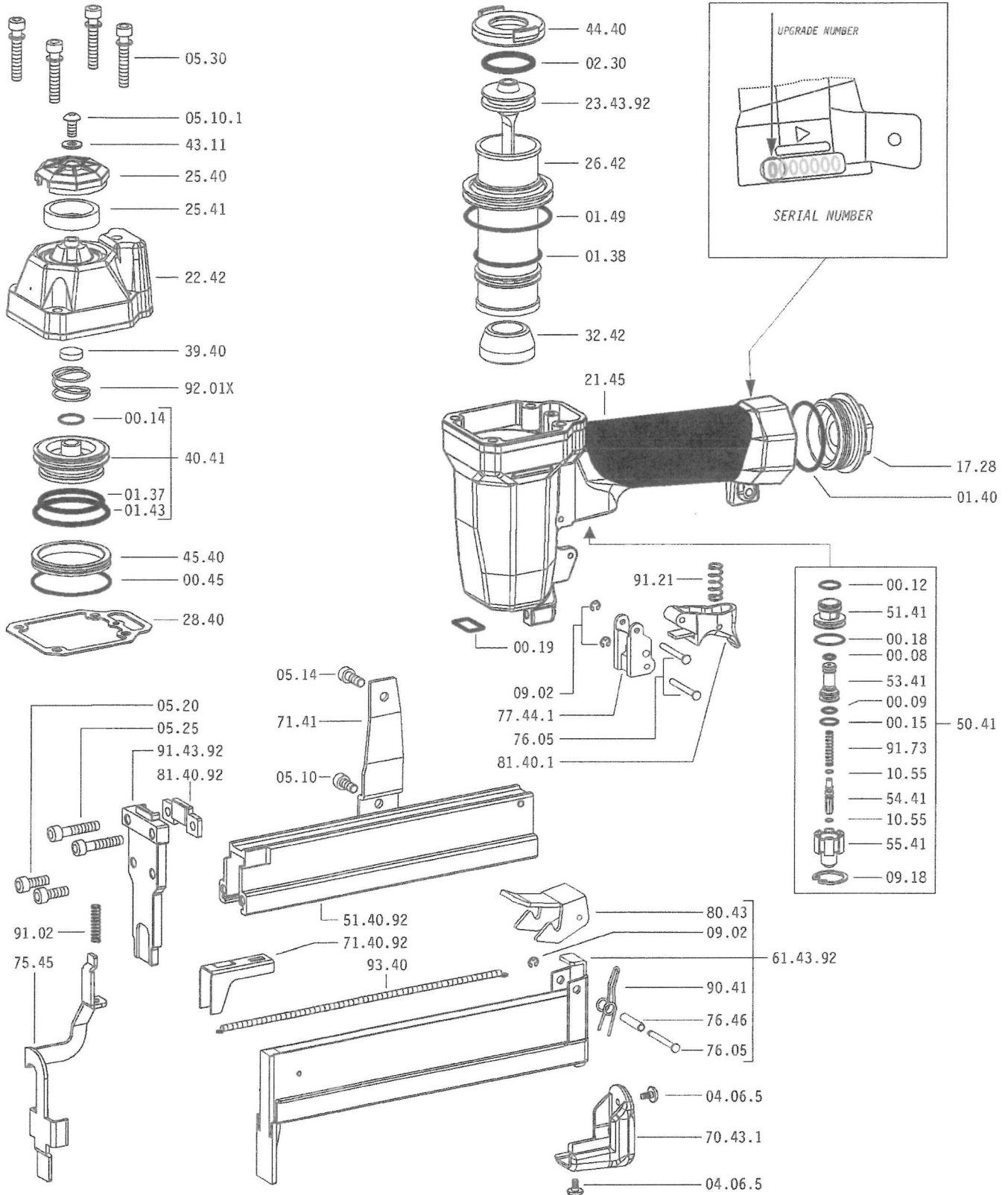
92.38BSQ

USE, MAINTENANCE & SPARE PARTS MANUAL



TECHNICAL DATA		Cod. 1427230SQ
Usable lengths mm	15 ÷ 40	Type of Fastener 92 
Magazine capacity, no. of fasteners	105	
Operating pressure	5 ÷ 7.5 bar 70 ÷ 105 psi	
Air consumption litres/stroke	0.54	
Weight kg	1.50	
Dimensions mm	242 x 58 x 245 (LxWxH)	
Sound pressure in operator's position	86 dB(A)	
Emitted sound power	94 dB(A)	
Vibratory emissions on handle	3.10 m/s ²	October 2022

SPARE PARTS



EQUIPMENT



07.30



07.40



D01

92.38 BSQ

cod. 1427230SQ

SPARE PARTS

Cod. **Description**

00.08	O-Ring
00.09	O-Ring
00.12	O-Ring
00.14	O-Ring
00.15	O-Ring
00.18	O-Ring
00.19	O-Ring
00.45	O-Ring
01.37	O-Ring
01.38	O-Ring
01.40	O-Ring
01.43	O-Ring
01.49	O-Ring
02.30	O-Ring
04.06.5	Screw
05.10	Screw
05.10.1	Screw
05.14	Screw
05.20	Screw
05.25	Screw
05.30	Screw
07.30	Hex. bar wrench
07.40	Hex. bar wrench
09.02	Elastic ring
09.18	Elastic ring
10.55	O-Ring
17.28	Inlet cap
21.45	Body
22.42	Head
25.40	Exhaust deflector
25.41	Silencer
26.42	Cylinder
28.40	Head gasket
32.42	Bumper
39.40	Exhaust seal
40.41	Valve ass'y
43.11	Washer
44.40	Gasket
45.40	Ring
50.41	Trigger valve ass'y
51.41	Trigger valve housing
53.41	Valve piston
54.41	Trigger valve
55.41	Bush
70.43.1	Guard
71.41	Support
75.45	Safety
76.05	Pin
76.46	Pin
77.44.1	Safety guide
80.43	Trigger
81.40.1	Trigger
90.41	Spring
91.02	Spring
91.21	Spring
91.73	Spring
92.01X	Spring
93.40	Spring
23.43.92	Driver
51.40.92	Magazine
61.43.92	Slider
71.40.92	Pusher
81.40.92	Nose
91.43.92	Nose plate
D01	Oiler

